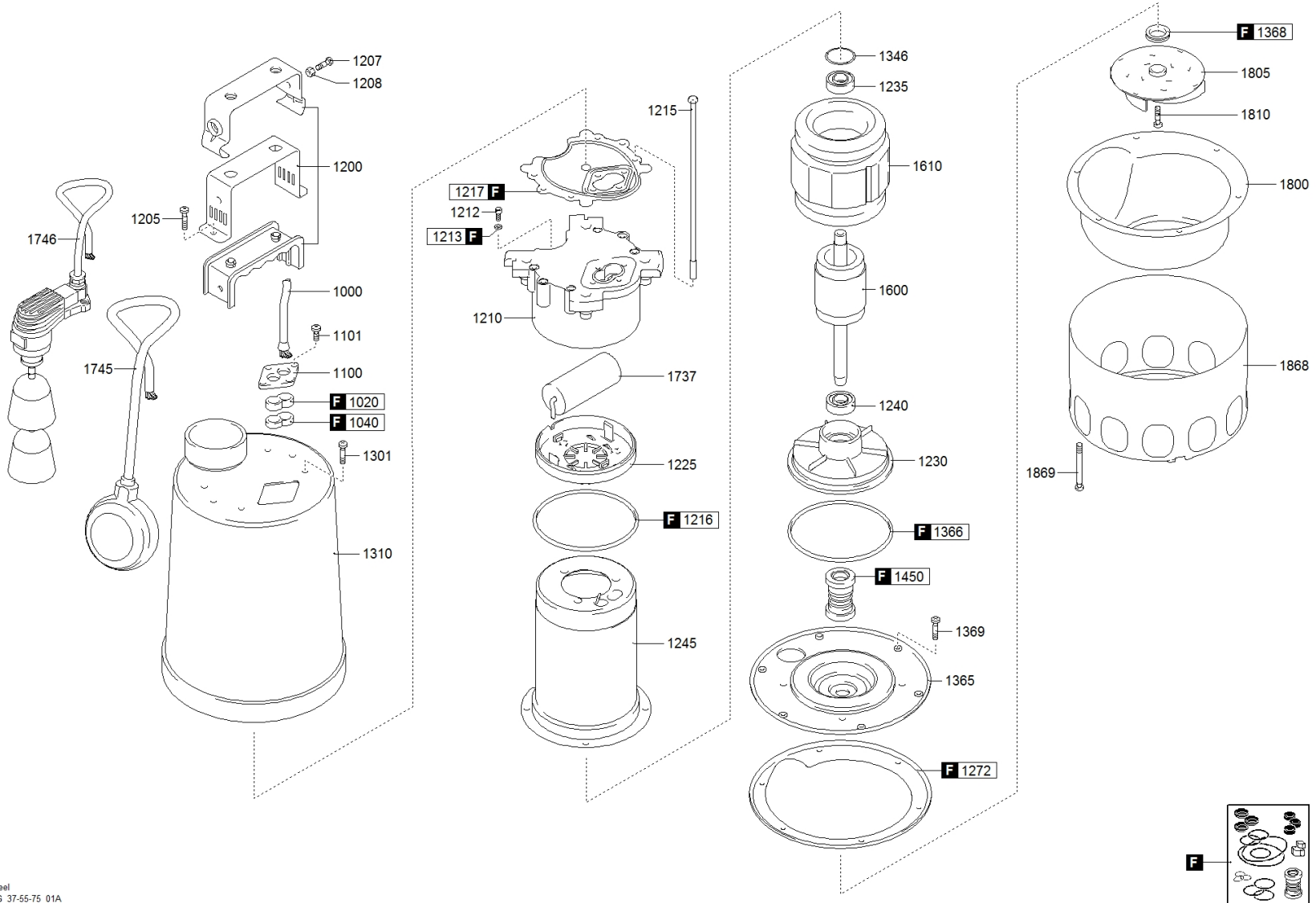




water solutions

5009.006 - DG-STEEL 55 M5 0 TG1U2300NN



Steel
DG 37-55-75 01A



water solutions



5009.006 - DG-STEEL 55 M5 0 TG1U2300NN

	Code	Description	Q.ty	Price (€)
F	608009002	MAINTENANCE KIT	1	
1000	250102304005100000	POWER CABLE	1	
1000	250102304005200000	POWER CABLE	1	
1000	250102304010100000	POWER CABLE	1	
1000	250102304010200000	POWER CABLE	1	
1000	250102304010700000	POWER CABLE	1	
1020	235467024241	CABLE GLAND [POWER CABLE]	1	805884
1040	235678024236	RUBBER GASKET [POWER CABLE]	1	711017
1040	235678024237	RUBBER GASKET [POWER CABLE]	1	711018
1100	235439070012	CABLE GLAND PLATE	1	
1200	235230470016	HANDLE	1	
1200	235260470015	HANDLE	1	
1200	235260470017	HANDLE	1	
1200	235260470018	HANDLE	1	
1205	270839840149000000	SCREW [HANDLE >> COVER]	2	
1207	270830510100700000	SCREW [HANDLE]	2	
1208	27073051941100000	NUT [HANDLE]	2	
1210	232160272006	COVER	1	
1212	270839840149000000	SCREW [GROUND CABLE]	1	
1213	271770004020000000	WASHER [GROUND CABLE]	1	
1215	270830512281272018	SCREW [COVER >> MOTOR CASE]	4	
1216	271770085040000000	GASKET [COVER >> MOTOR CASE]	1	
1217	2750700072028	GASKET [COVER]	1	
1225	230660224209	UPPER BEARING HOLDER	1	
1230	230550271022	LOWER BEARING HOLDER	1	
1235	2729062010200000	UPPER BEARING	1	711365
1240	2729062010200000	LOWER BEARING	1	711365
1245	231030272014	MOTOR CASE	1	
1272	2750700072029	GASKET [LOWER BEARING HOLDER >> PUMP BODY]	1	
1301	270839840149000000	SCREW - STOP RING [COOLING JACKET]	4	
1310	238130272008	EXTERNAL COOLING JACKET	1	
1346	27542031000000	WAVE SPRING	1	
1365	238632121272015	MECHANICAL SEAL FLANGE	1	
1366	271770088035000000	GASKET [LOWER BEARING HOLDER >> MECHANICAL SEAL FLANGE]	1	
1368	237970140200600000	V-RING [MECHANICAL SEAL FLANGE]	1	
1369	27073051940100000	SCREW [MECHANICAL SEAL FLANGE >> PUMP BODY]	4	
1450	230005060120000000	MECHANICAL SEAL	1	
1600	230230211473005	SHAFT WITH ROTOR	1	

1610	231101141007000000	WOUND STATOR		1
1737	2517012000000	CAPACITOR	710985	1
1745	254500405300000	FLOAT SWITCH		1
1746	254505004000000	FLOAT SWITCH		1
1800	21253421200070201	PUMP BODY		1
1805	21413400720570301	IMPELLER	800278	1
1810	270830510160700000	LOCKING IMPELLER	800323 OR 803481	1
1868	216534670205	CLOSED STRAINER		1
1869	270830511210700000	SCREW [CLOSED STRAINER >> PUMP BODY]		3